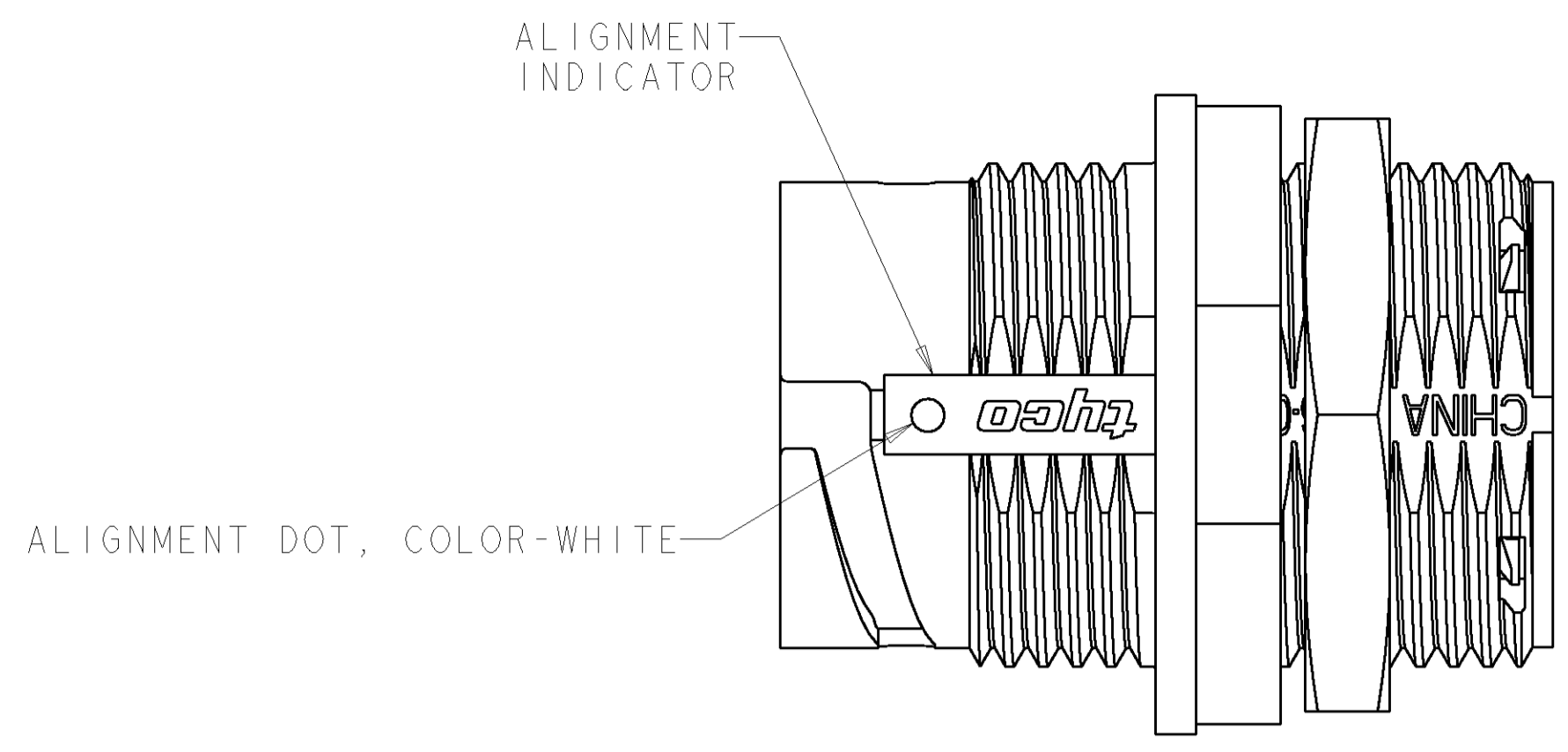
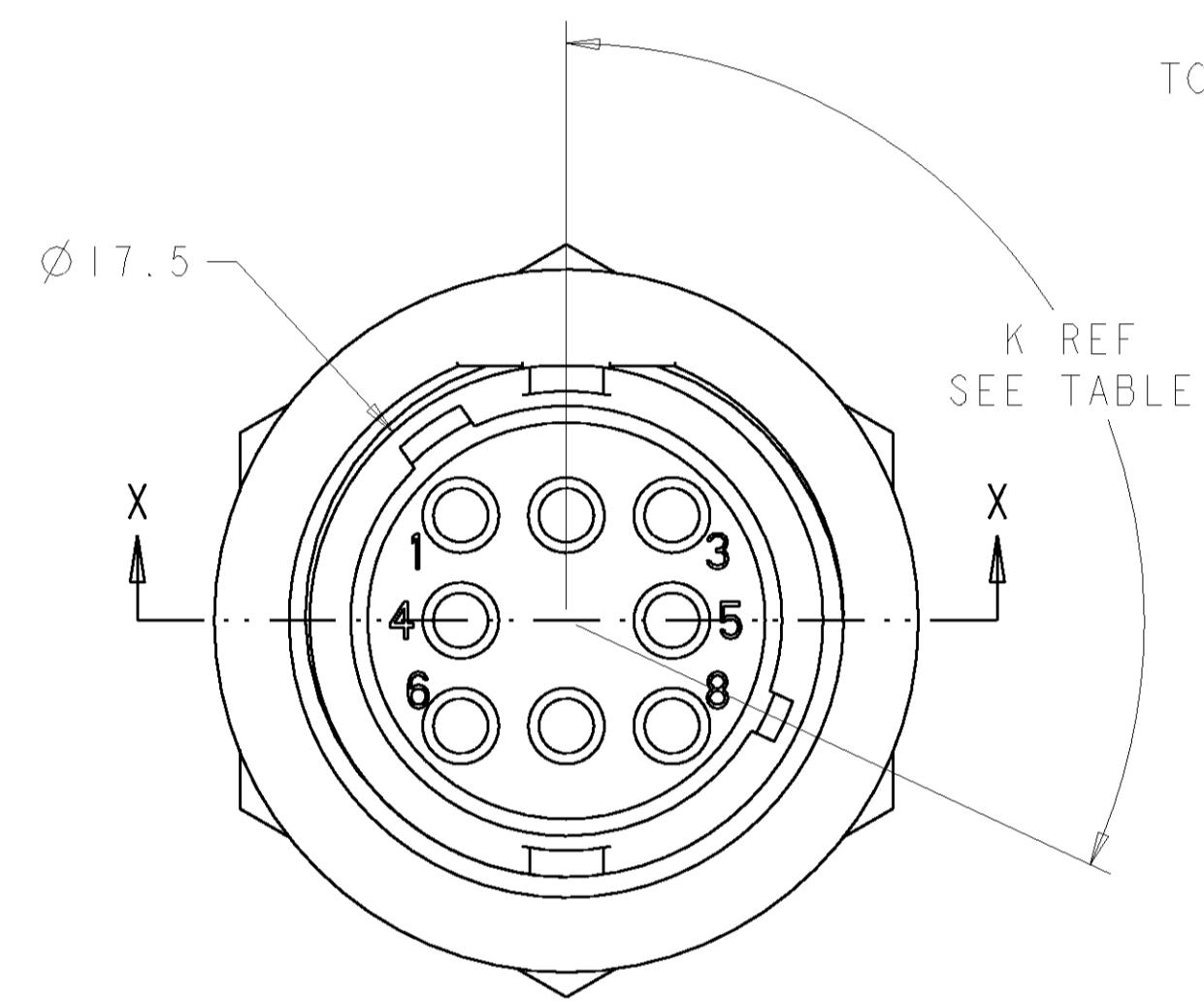


LOC		DIST		REVISIONS			
FT	0	P	LTR	DESCRIPTION	DATE	DWN	APVD
		A		REVISED EC 063B-0326-03	13JUN2003	SW	HW
		B		REVISED EC 063B-0390-04	20MAY2004	SW	HW

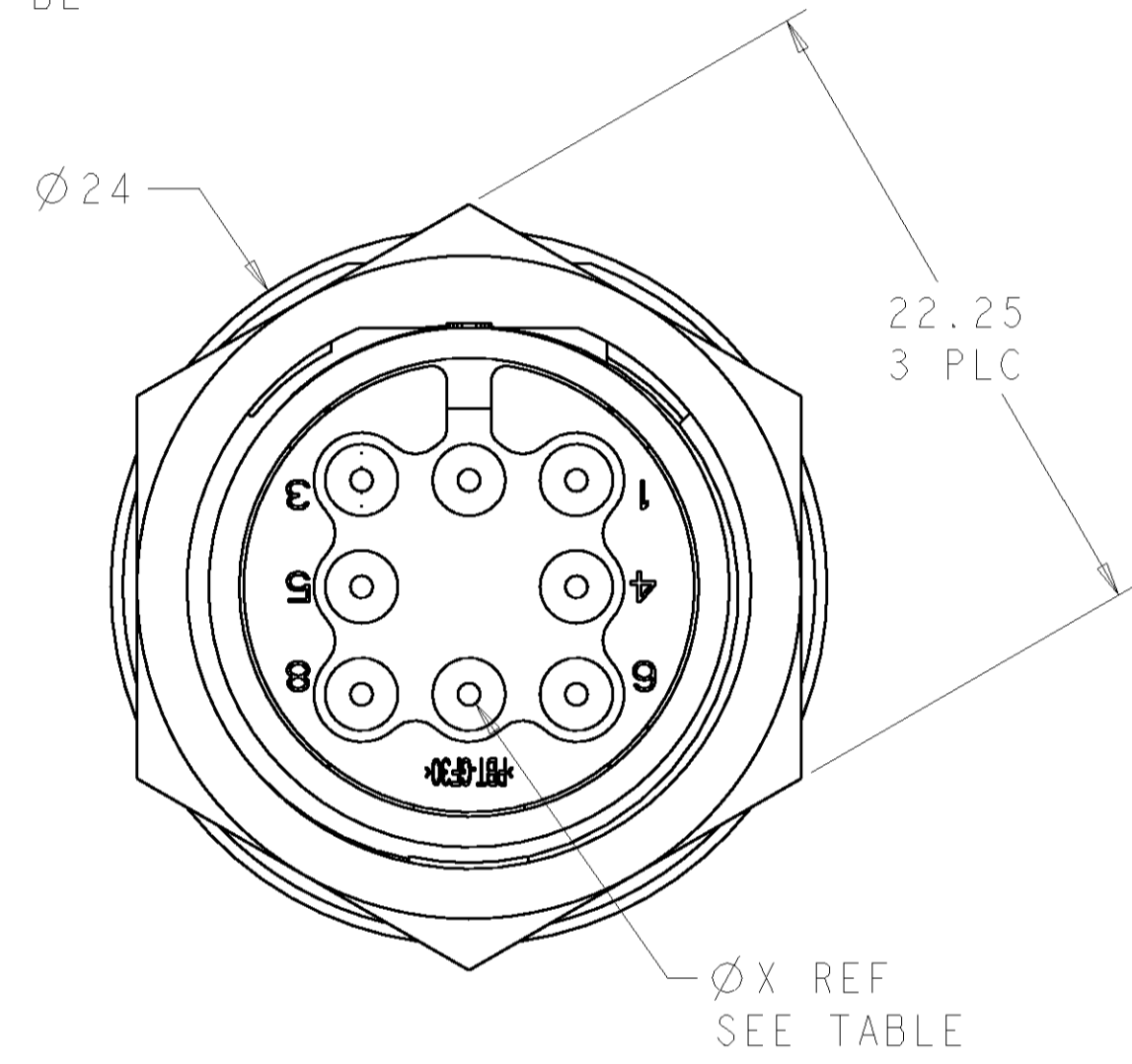
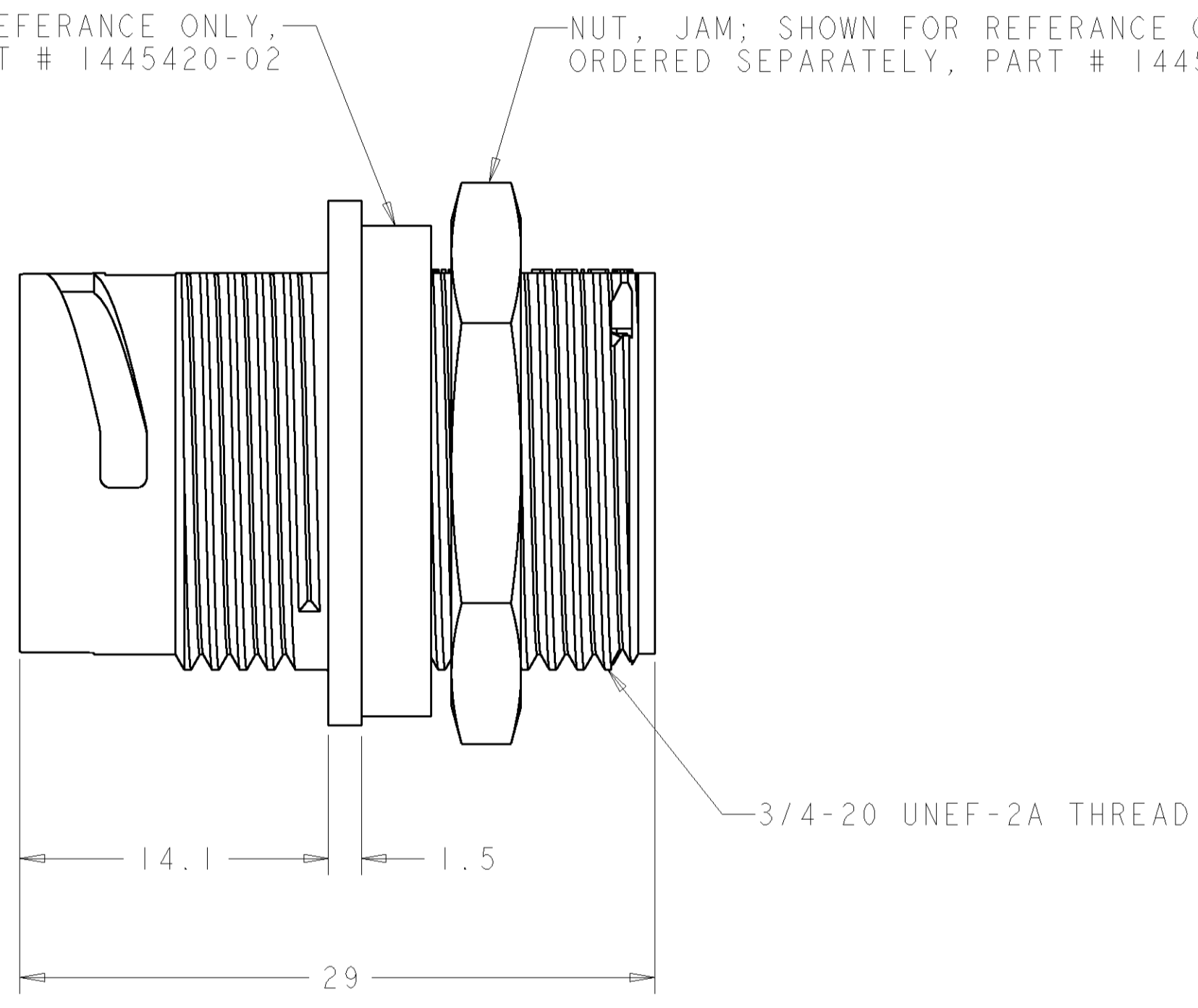


QUALIFICATION TEST PENDING

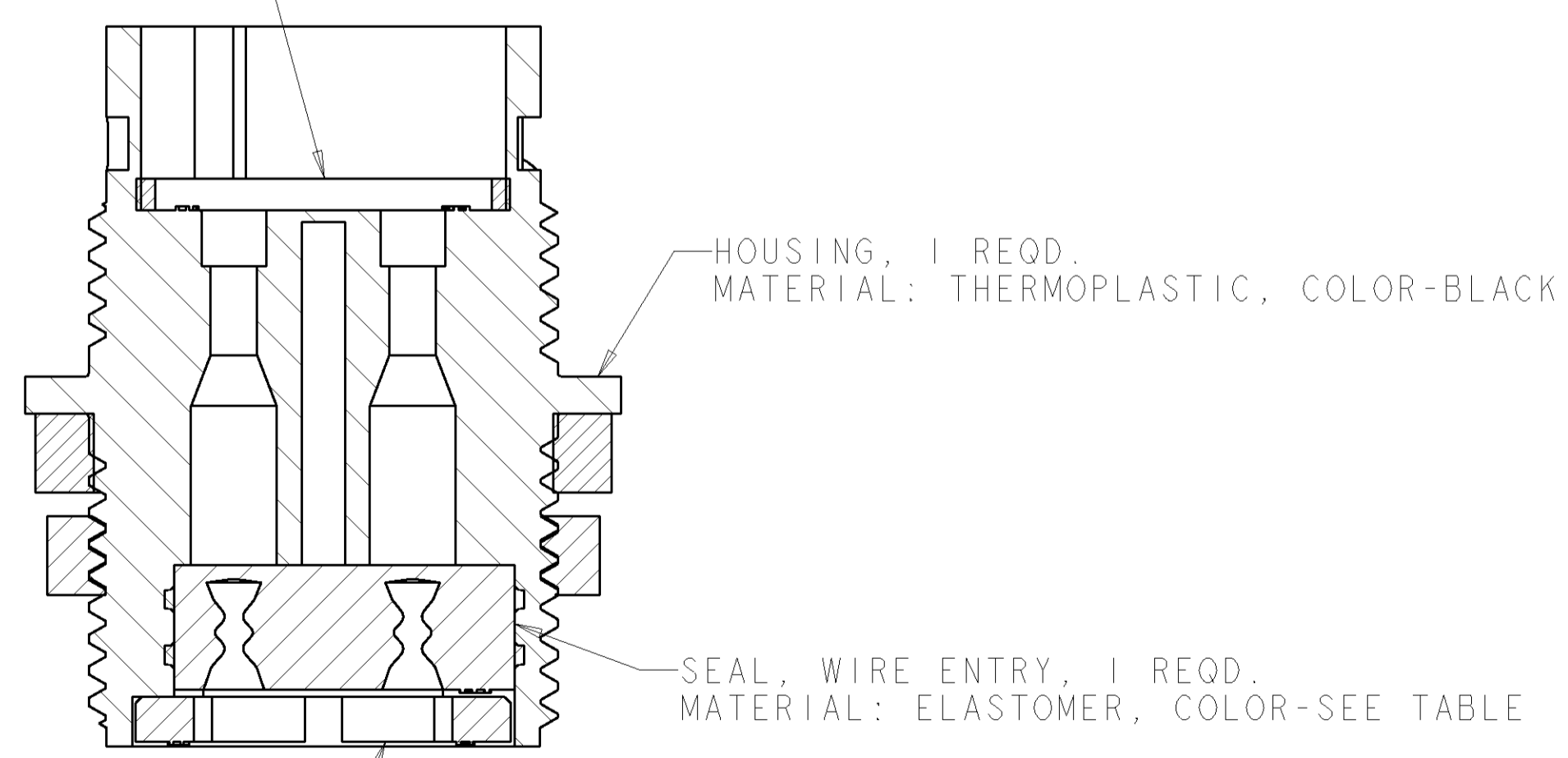


SEAL, PANEL, SHOWN FOR REFERENCE ONLY, TO BE ORDERED SEPARATELY, PART # 1445420-02

NUT, JAM; SHOWN FOR REFERENCE ONLY, TO BE ORDERED SEPARATELY, PART # 1445904-1



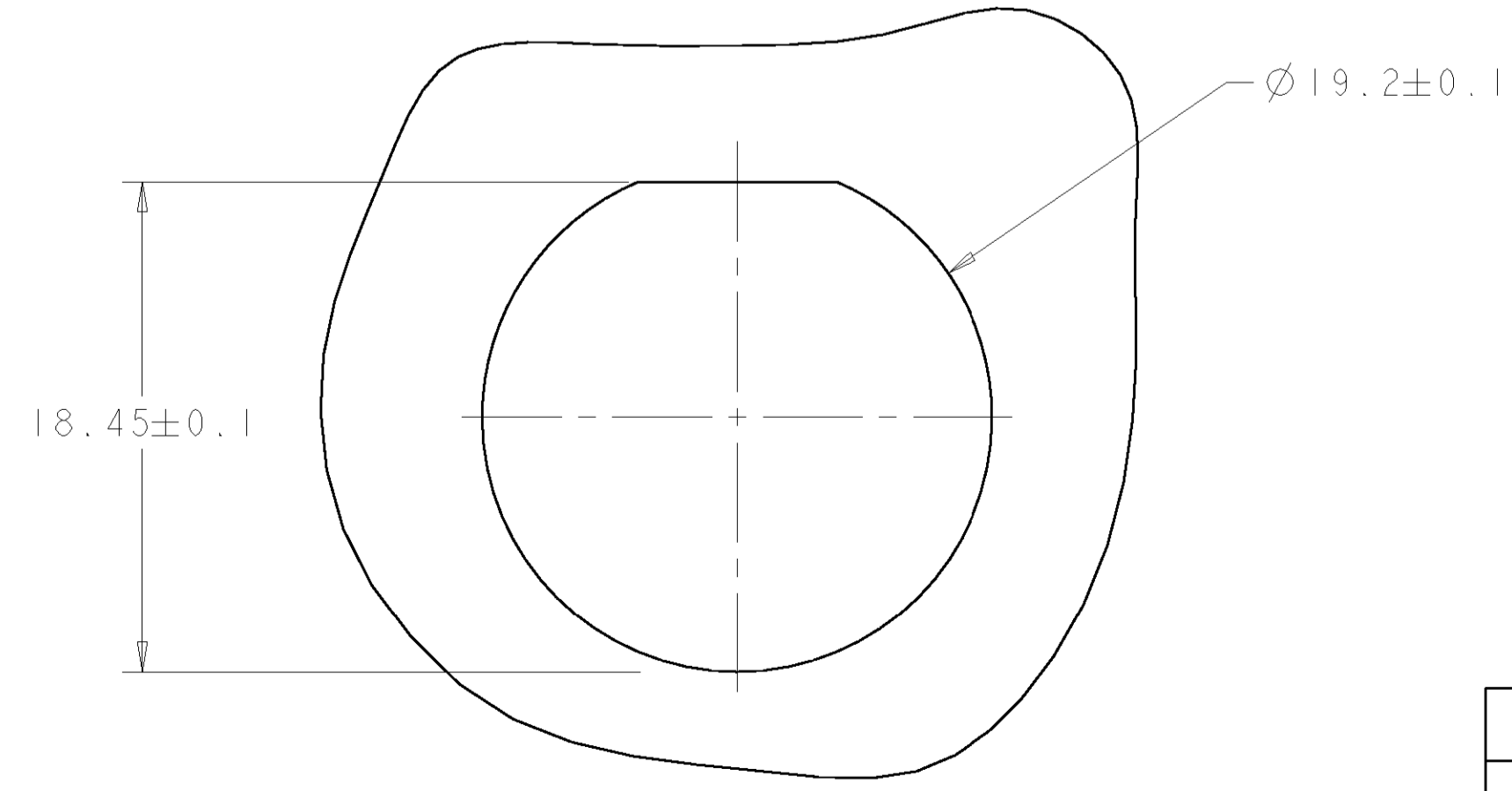
SEAL, PERIPHERAL, 1 REQD. MATERIAL: ELASTOMER, COLOR-GRAY



RETAINER, SEAL, 1 REQD. MATERIAL: THERMOPLASTIC, COLOR-BLACK

SECTION X-X

1. CONNECTOR CAN BE FRONT OR REAR PANEL MOUNTED.
 △ MAX PANEL THICKNESS - 3.18



SUGGESTED PANEL CUTOUT △

SEAL, WIRE ENTRY COLOR	ØX REF	K REF	PART NUMBER
YELLOW	Ø0.75	135°	1445821-04
NATURAL	Ø1.5	115°	1445821-03
NATURAL	Ø1.5	135°	1445821-02
YELLOW	Ø0.75	115°	1445821-01

<small>THIS DRAWING IS UNPUBLISHED. RELEASED FOR PUBLICATION. IF THIS DRAWING IS CHANGED, THE CHANGING ORGANIZATION SHALL BE CONTACTED FOR THE LATEST VERSION.</small>		DWN SHANE WIESE 12OCT2001 ENR G DOUTY 12OCT2001 APVD H WAKEEM 13JUN2003	Tyco Electronics Tyco Electronics Harrisburg, PA 17105-3608
DIMENSIONS: mm 	TOLERANCES UNLESS OTHERWISE SPECIFIED: 0 PLC ± 1 PLC ±0.13 2 PLC ± 3 PLC ± 4 PLC ± ANGLES ± FINISH SEE CALLOUT	NAME ASSEMBLY, RECEPTACLE, SIZE 11, 8 POSITION, PANEL MOUNT, SEALED, MINI CPC PRODUCT SPEC APPLICATION SPEC WEIGHT CUSTOMER DRAWING	SIZE CAGE CODE DRAWING NO RESTRICTED TO A1 00779 C=1445821 SCALE 4:1 SHEET 1 OF 1 REV B